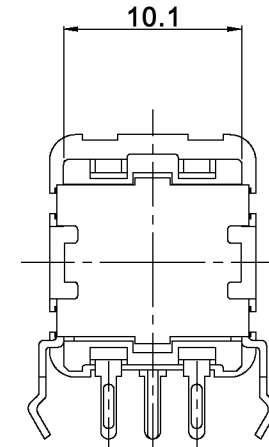
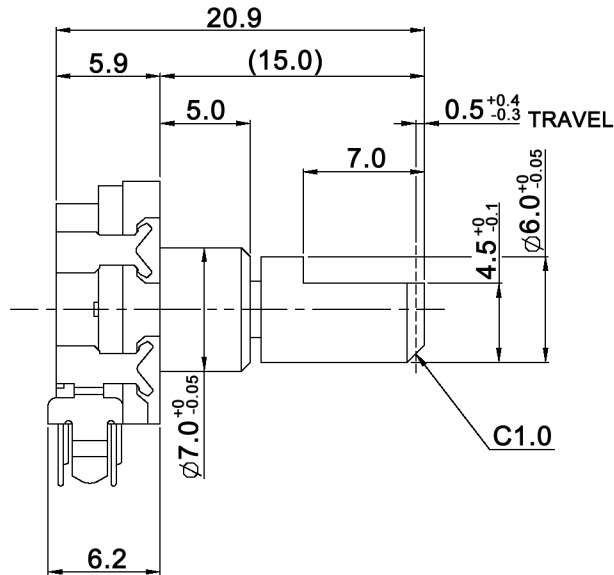
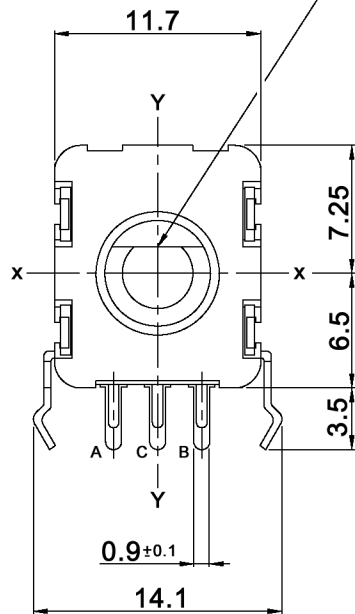
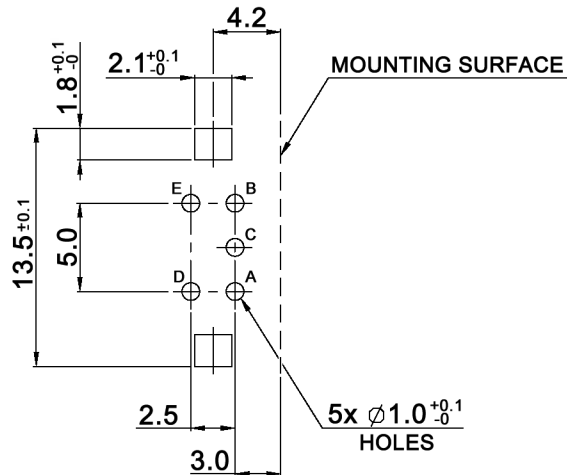


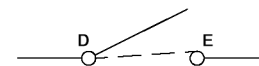
SHAFT FLAT IS OPTIONAL ANGLE



P.C.B. MOUNTING
VIEWED FROM MOUNTING SIDE
(TOLERANCE ±0.1)
t=1.6mm



CIRCUIT DIAGRAM



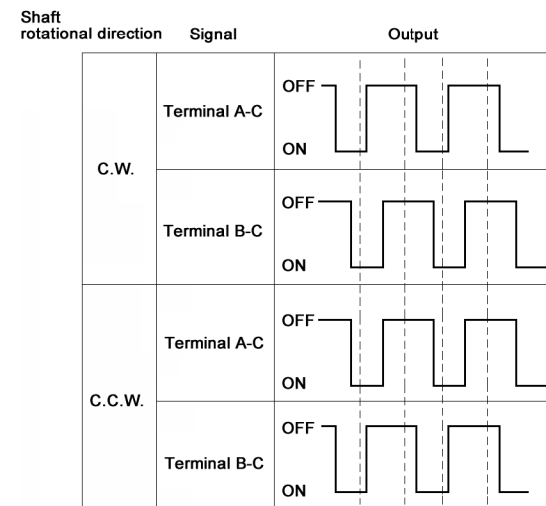
Compliance: RohS III (2015/863/EU)

Tolerances: ≤10: ±0.3mm 10-100: ±0.5mm		Date	Name	MERP11-15115A-R
		12/23	dr	
		knitter-switch		30 52 89
Modifications	Date	Name		Page 1/2

Specifications:

Contact rating: 10mA, 5V DC
Contact resistance: 100mOhm max.
Insulation resistance: 100MOhm min. at 250V DC
Dielectric strength: 300V AC for 1 minute
Operating temperature: -40°C to +85°C
Storage temperature: -40°C to +85°C
Resolution: 15 pulses / 360° for each phase
Detent torque: 0.3-2 N.cm
No. and pos. of detents: 30 detents; step angle 12° +/-3°
Rotational life: 15 000 cycles
Soldering conditions: 260 +/-5°C, 5 +/-1sec.
Switch: Mechanical life: 20 000 cycles
 Operating force: 6 +/-3 N

Output signal format



Compliance: RohS III (2015/863/EU)

Tolerances: ≤10: ±0.3mm 10-100: ±0.5mm		Date	Name	MERP11-15115A-R
		12/23	dr	
		knitter-switch		30 52 89
				Page
				2/2
Modifications	Date	Name		